

## Care Solutions

Care Lift-up shower seat vario,  
with armrest

Order number: 8750012150

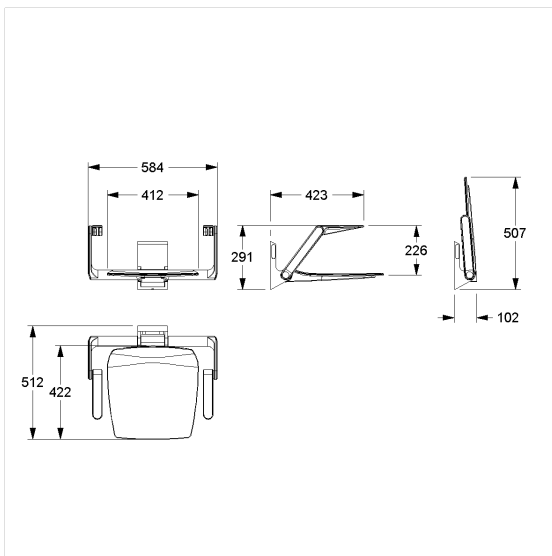
### Product image



### Technical specifications

Product group	8700
Product	Lift-up shower seat, with armrest
System	vario
Length	584 mm
Height	297 mm
Width	512 mm
Material	Polypropylene, support bracket and wall plate made of aluminium, base plate made of stainless steel, material No. 1.4301 (A2 AISI 304)
Surface	matt
Colour	available in Ascento colours
Loading	max. 150 kgs

### Technical drawing



### Product description

- Ascento as Modular Seating Solution, expandible and combinable
- ergonomic formed seat with rounded outer edges
- armrest can be folded up/down separately from each other
- with adjustable brake
- locked in place in vertical position
- Fixing set has to be determined according to conditions on site, is to be ordered separately.



Vario



150

151